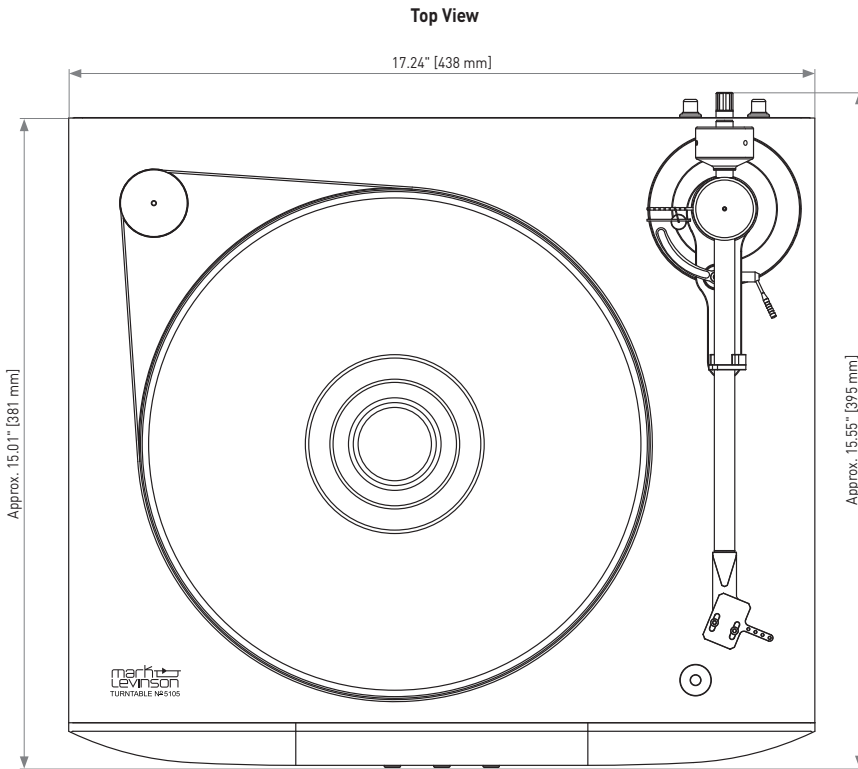




## Performance Specifications

# MARK LEVINSON

## N°5105



- Dimensions: 17.2" x 15.6" x 6.1" / 438 mm x 395 mm x 154 mm
- Weight: 75 lbs / 34 kg
- Drive system: Integrated DC-motor
- Speed range: 33 1/3 RPM and 45 RPM
- Power supply: Internal AC to DC power adaptor; input 100V to 260V AC 50-60Hz
- Bearing: High precision bearing
- Chassis: 17.2" x 15" x 2" / 438 mm x 380 mm x 50 mm; aluminum; 3 height adjustable feet
- Platter: 11.75" diameter x 1.33" / 299 mm diameter x 34 mm; aluminum; weight: 13 lbs / 6 kg
- Tonearm: Effective length 10"; mounting distance 9.36" / 237.8mm; overhang 0.64" / 16.2 mm, height adjustable



HARMAN International Industries, Incorporated  
8500 Balboa Boulevard, Northridge, CA 91329  
marklevinson.com

©2020 HARMAN International Industries, Inc. Mark Levinson and the Mark Levinson logo are trademarks of HARMAN International Industries, Inc., registered in the United States and other countries. All rights reserved. Features, specifications and appearance are subject to change without notice.