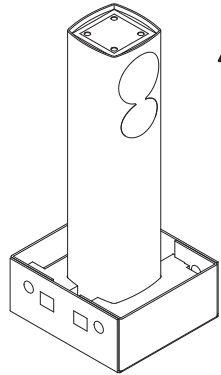




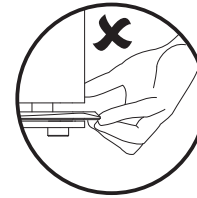
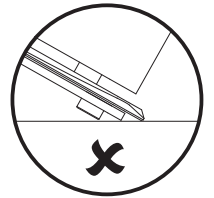
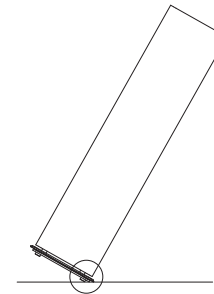
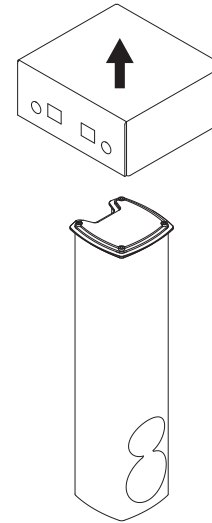
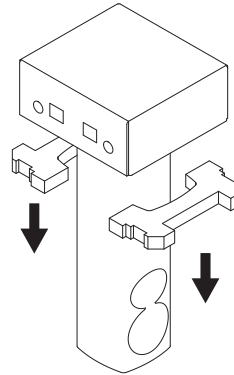
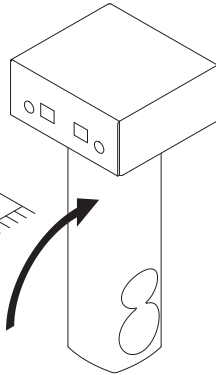
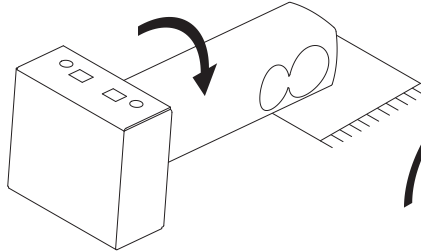
SERIES 5 QUICKSTART

PRODUCT SHOWN IS 520 SPEAKER.

PACK 1787/2 'F'
1/2



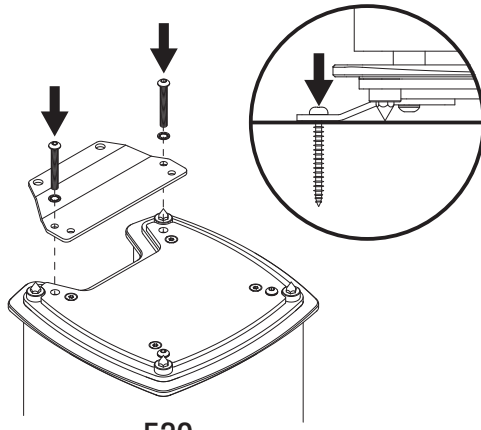
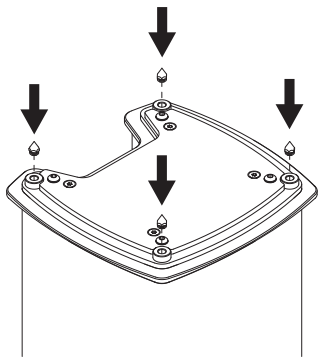
DO NOT ATTEMPT TO LIFT SPEAKER ALONE.
ALWAYS LIFT WITH 2 PEOPLE.
SUPPORT SPEAKER AT BOTH ENDS
WHILST TILTING.



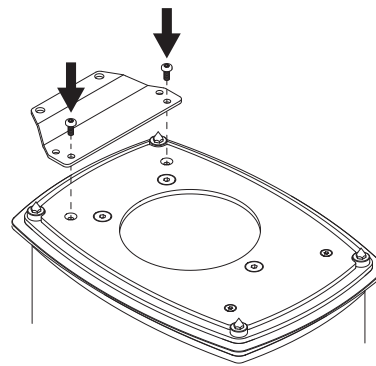
ALWAYS LIFT BY THE METAL BASE,
NOT BY THE GLASS PANEL.



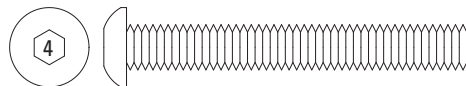
FOR ADDITIONAL STABILITY, THE LOUDSPEAKERS MUST BE ATTACHED TO THE FLOOR USING THE SUPPLIED BRACKETS (USE FIXINGS APPROPRIATE TO THE FLOOR TYPE).



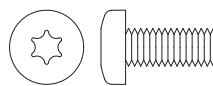
520



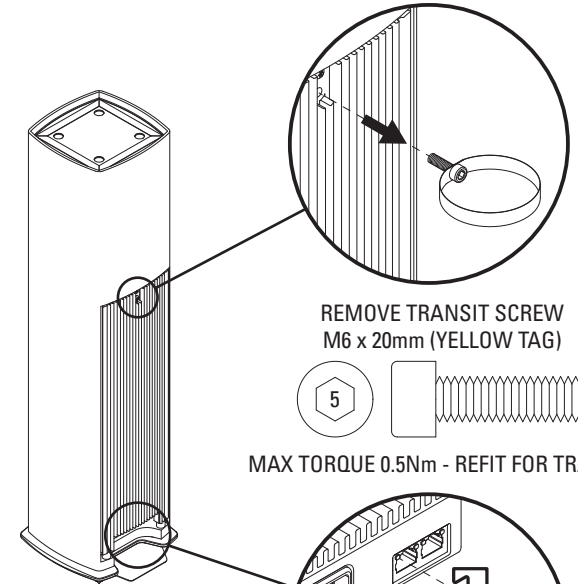
530



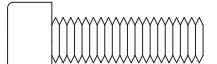
M6 x 45 mm (EXISTING SCREWS)
MAX TORQUE 2.0Nm



M5 x 12 mm (T25 TORX)
MAX TORQUE 2.0Nm



REMOVE TRANSIT SCREW
M6 x 20mm (YELLOW TAG)



MAX TORQUE 0.5Nm - REFIT FOR TRANSIT

CONSULT YOUR
LINN SPECIALIST FOR
CONFIGURING THE
LOUDSPEAKERS
THROUGH KONFIG.

