

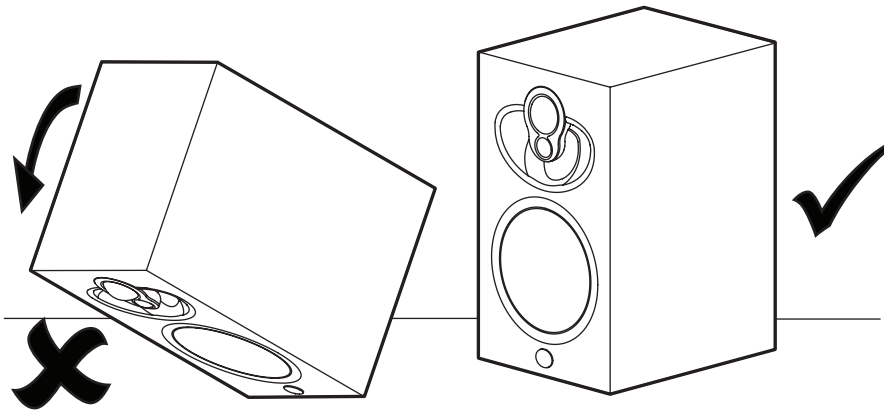
Majik 109 Loudspeaker Quickstart Guide

IMPORTANT:

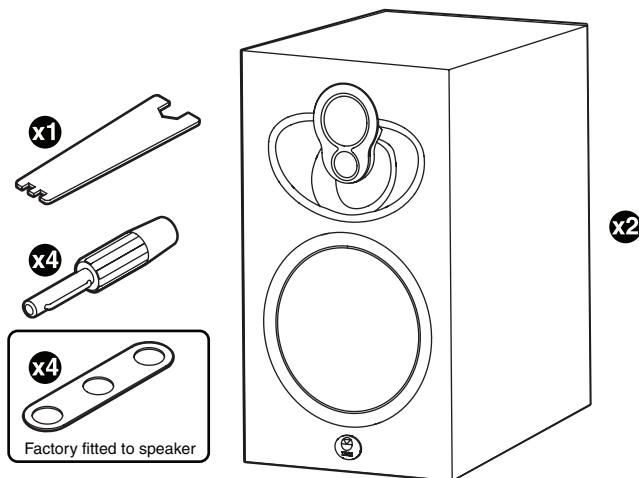
This sheet contains guidance on unpacking and setting up your loudspeakers. Please refer to the printed Safety Information booklet for important safety information and the online Owner's Manual for full instructions on using your loudspeakers.

Unpacking

- The Majik 109 loudspeakers come packaged as a pair; take care when removing them from their packaging to avoid damage.
- Do **not** lay the loudspeakers on their face as this will damage the 2K Array.



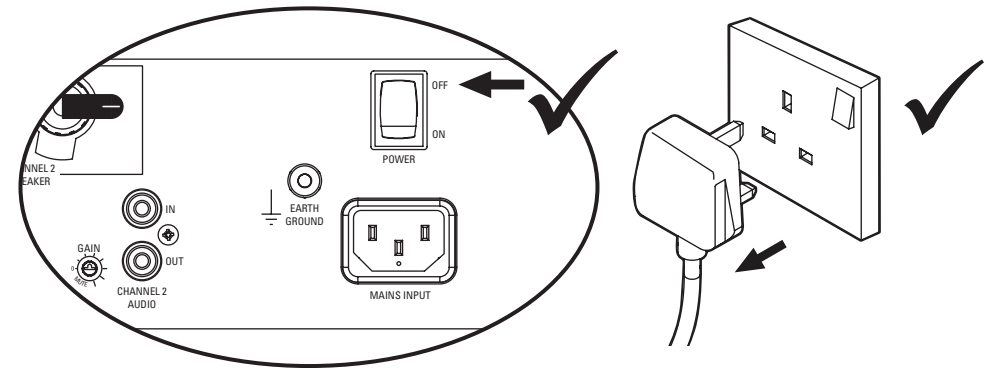
Contents



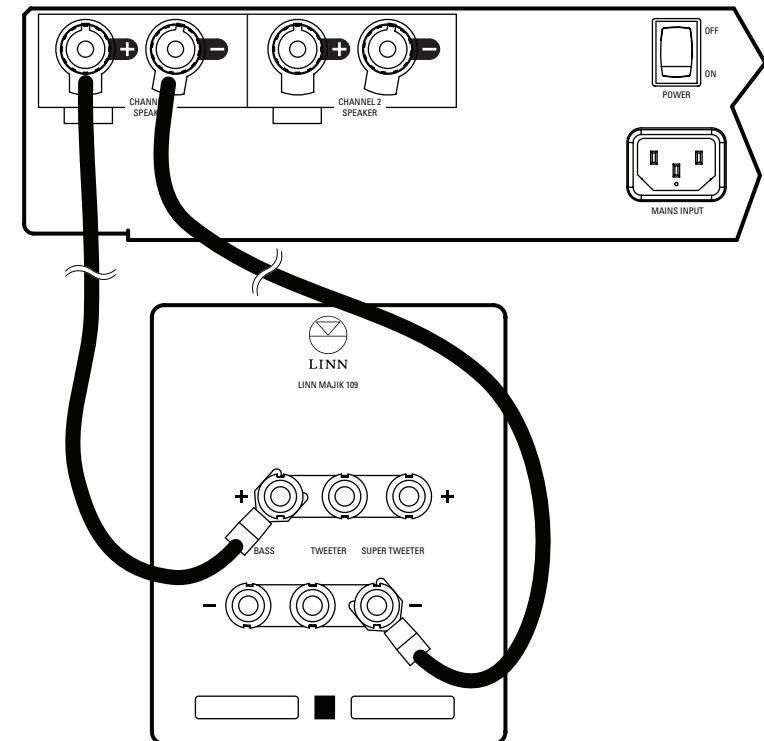
Connecting

IMPORTANT:

Before making any connections, switch off your power amplifier(s).

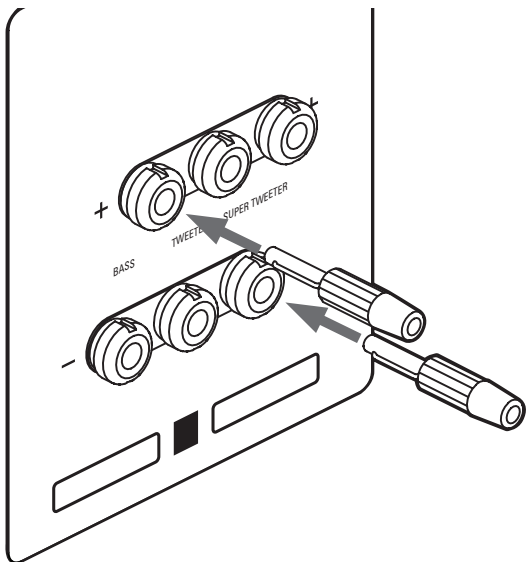


Ensure the positive (+) or red coloured connectors from your amplifier(s) connect to the positive (+) connectors on your loudspeakers, and that the negative (-) or black coloured connectors from your amplifier(s) connect to the negative (-) connectors on your loudspeakers.



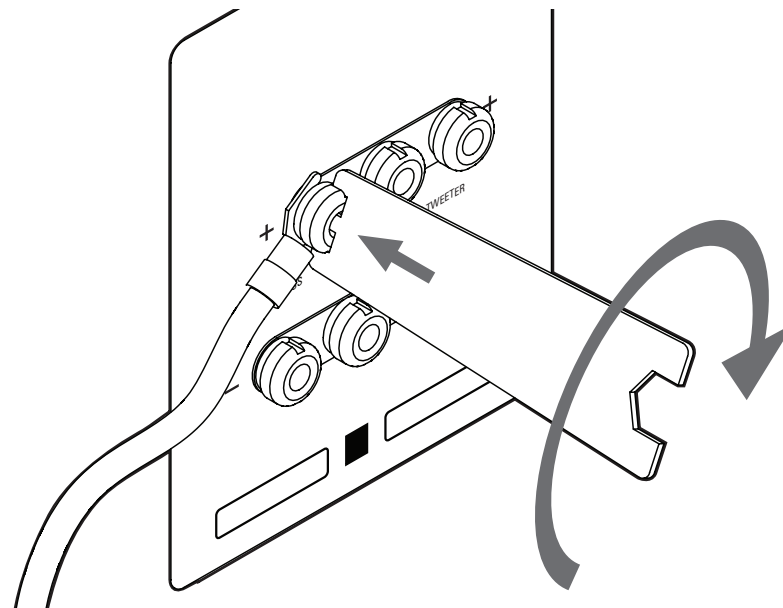
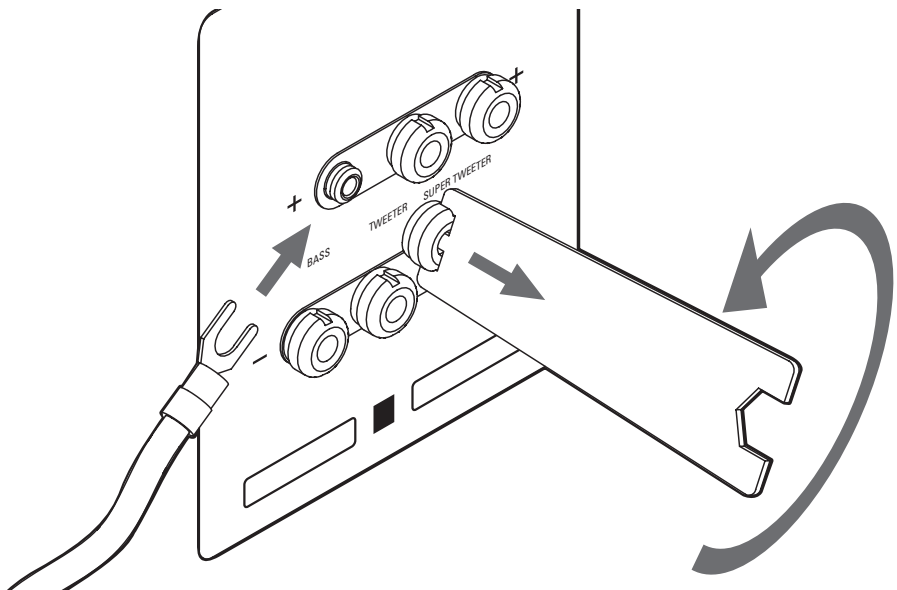
Connecting cables terminated with 4mm 'banana' plugs

Your Linn retailer should attach the 4mm 'banana' plugs securely to your cables. Use the left-most positive (+) terminal and the right-most negative (-) terminal for the best possible sound quality.



Connecting cables terminated with spades

To connect spade-terminated cables, loosen the gold collar with the provided spanner, insert the spade behind the gold collar, and firmly re-tighten the collar to ensure a good electrical connection.



Owner's Manual

Please visit www.linn.co.uk/majik to download the Owner's Manual for full instructions on operating your loudspeakers. This includes further information on advanced configuration options such as bi-wiring, bi-amping and Aktiv configurations.

Warranty

Please visit www.linn.co.uk/warranty within 30 days of purchase to register your product for an extended 5 year warranty.

Linn Products Limited

Glasgow Road, Waterfoot, Eaglesham,
Glasgow G76 0EQ, Scotland, UK

- Phone: +44 (0)141 307 7777 • Fax: +44 (0)141 644 4262
- Helpline: 0500 888909 • Email: helpline@linn.co.uk
- Website: www.linn.co.uk

