



# AKUBARIK QUICKSTART

Thank you for purchasing the Linn Akubarik loudspeakers. This guide provides basic unpacking and connecting information to get you started - contact your Linn Specialist for full installation support.

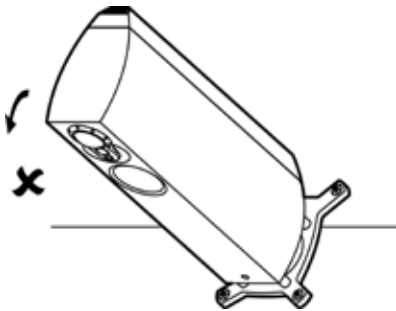
## IMPORTANT:

Please refer to the printed Safety Information booklet for important safety information and [www.linn.co.uk/akubarik](http://www.linn.co.uk/akubarik) for further information on your Linn Akubarik loudspeakers.

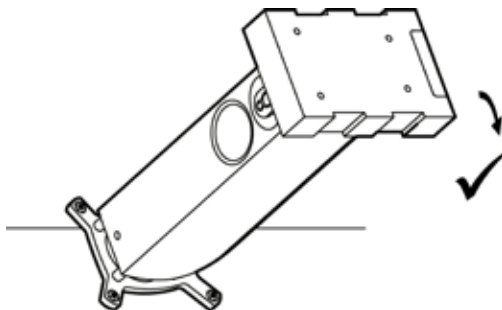
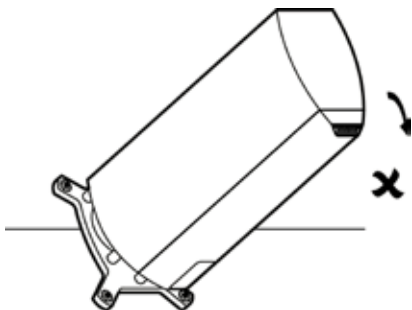
## Unpacking

### IMPORTANT:

The Akubariks are heavy; take great care when moving them. When unpacking, lifting or moving them, we recommend using two people to avoid personal injury. Do not lift your Akubarik using the amplifier module, this will cause damage to your loudspeaker.

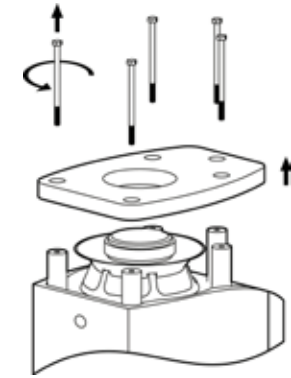


- Loudspeakers are packed individually with a separate package containing both speaker stands.
- Carefully remove products from packaging and place on a flat surface - take care when unpacking to avoid damage to the cabinets.
- Do **not** lay the loudspeakers on their front face or the amplifier on the rear as this will damage the loudspeaker.
- Please retain all packaging for future transport of your Akubarik loudspeakers.

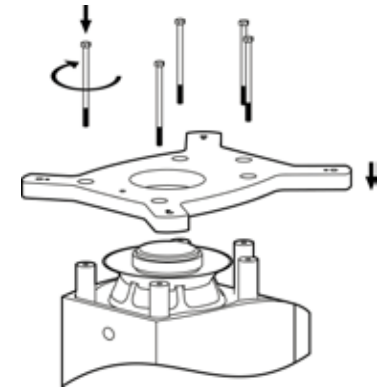


## Installing

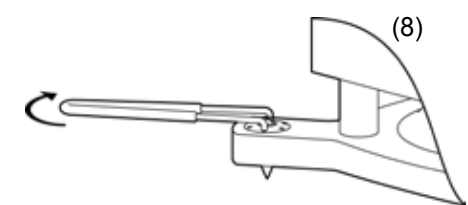
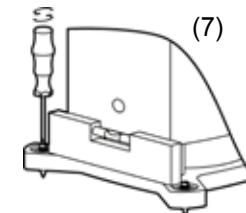
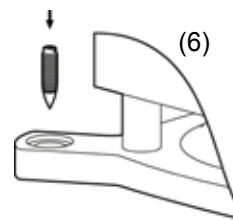
1. On a clean, level surface that will not damage the loudspeaker; carefully stand the speaker upside-down without laying it on its front or rear face.
2. Remove the transit plinth using a 13mm socket spanner.



3. Retain the transit plinth and keep with product packaging.
4. Position the speaker stand above the speaker as shown and attach using the 5 bolts removed in step 2. Take care not to over tighten the bolts.

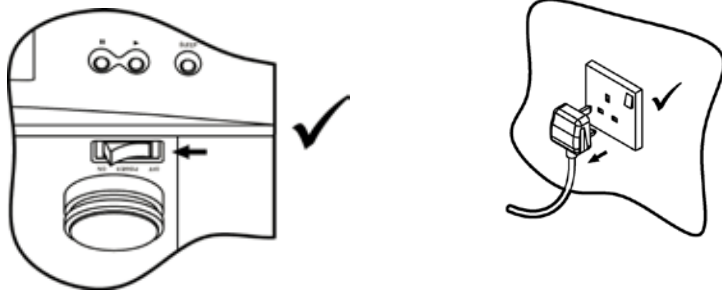


5. Without laying the speaker on its front or rear face, carefully return the speaker to its upright position.
6. Screw the spikes into the corners of the stand.
7. Adjust the spikes to level the speaker, using a spirit level placed on the stand.
8. Once the speaker is level, fit and tighten the lock nuts with the spanner provided.

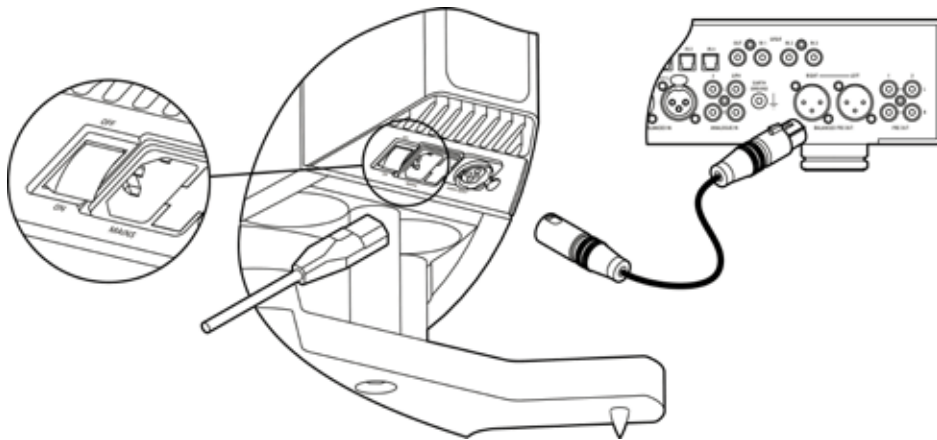


# Connecting

1. Before making any connections, switch off the rest of the system.

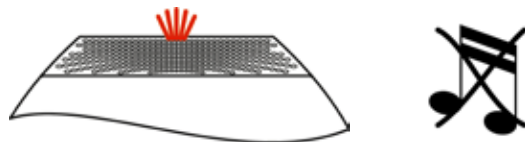


2. Connect the audio input of your Akubarik to the balanced output of your Linn DSM or pre-amplifier.
3. Connect your mains cable and switch on the system, always switch on your loudspeakers last.

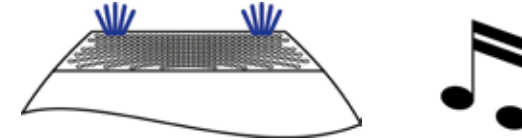


# Operating

General:  
When power is first applied the red LED will illuminate and will remain on while the amplifier is in sleep mode.

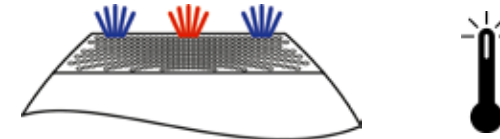


Signal sensing:  
When an audio input signal is detected, the amplifier is enabled and the blue LED's will illuminate.



If the amplifier does not receive an audio signal for approximately 20 minutes it will revert to sleep mode.

Protection:  
Under fault conditions e.g. over temperature, both blue and red LED's will illuminate and the amplifier will shut down in order to protect itself and the drive units. Once the condition has cleared the amplifier will automatically resume normal operation.



# Online Support

Please visit <http://docs.linn.co.uk> to view the latest information, including advanced setup instructions, for Linn Akubarik.

# Warranty

Your Akubarik loudspeakers come with a 5 year parts and labour warranty as standard - please visit [www.linn.co.uk/warranty](http://www.linn.co.uk/warranty) if you wish to register your product.

Linn Products Limited

Glasgow Road, Waterfoot, Eaglesham,  
Glasgow G76 0EQ, Scotland, UK

- Phone: +44 (0)141 307 7777 • Fax: +44 (0)141 644 4262
- Helpline: 0500 888909 • Email: [helpline@linn.co.uk](mailto:helpline@linn.co.uk)
- Website: [www.linn.co.uk](http://www.linn.co.uk)

