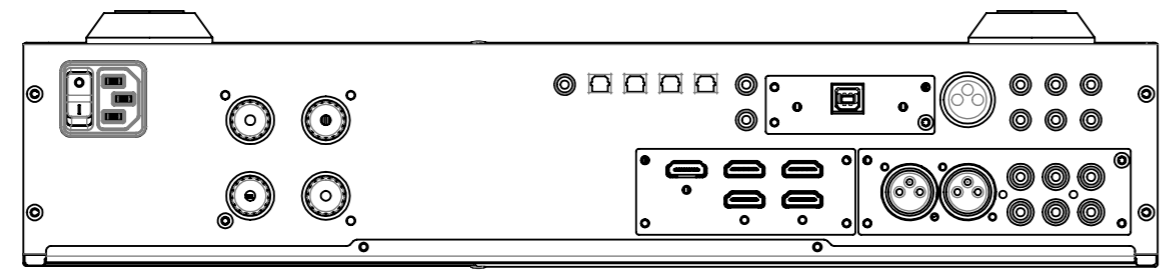
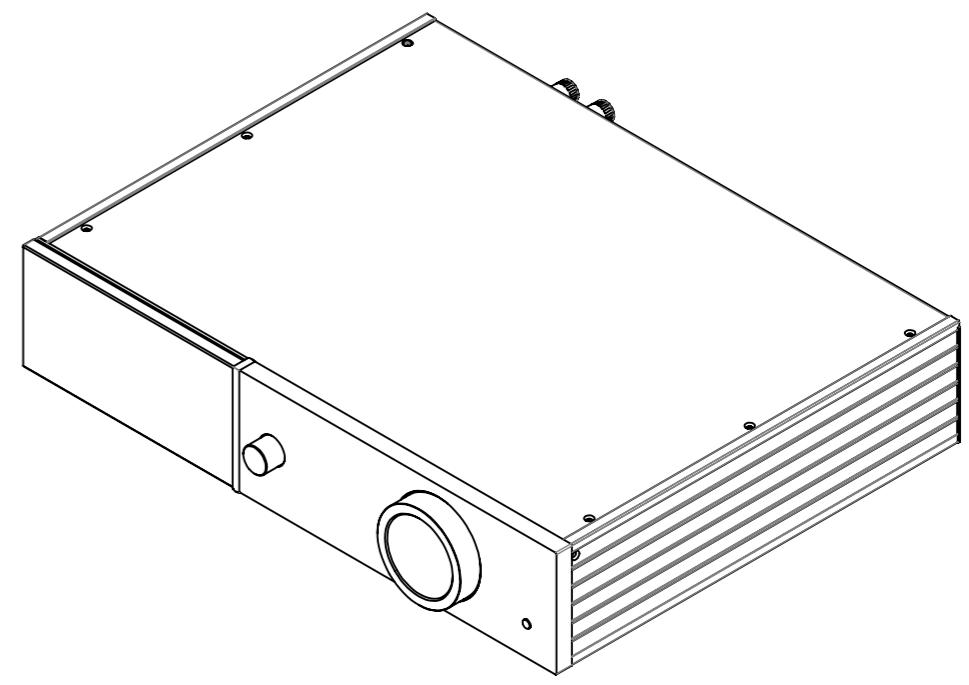
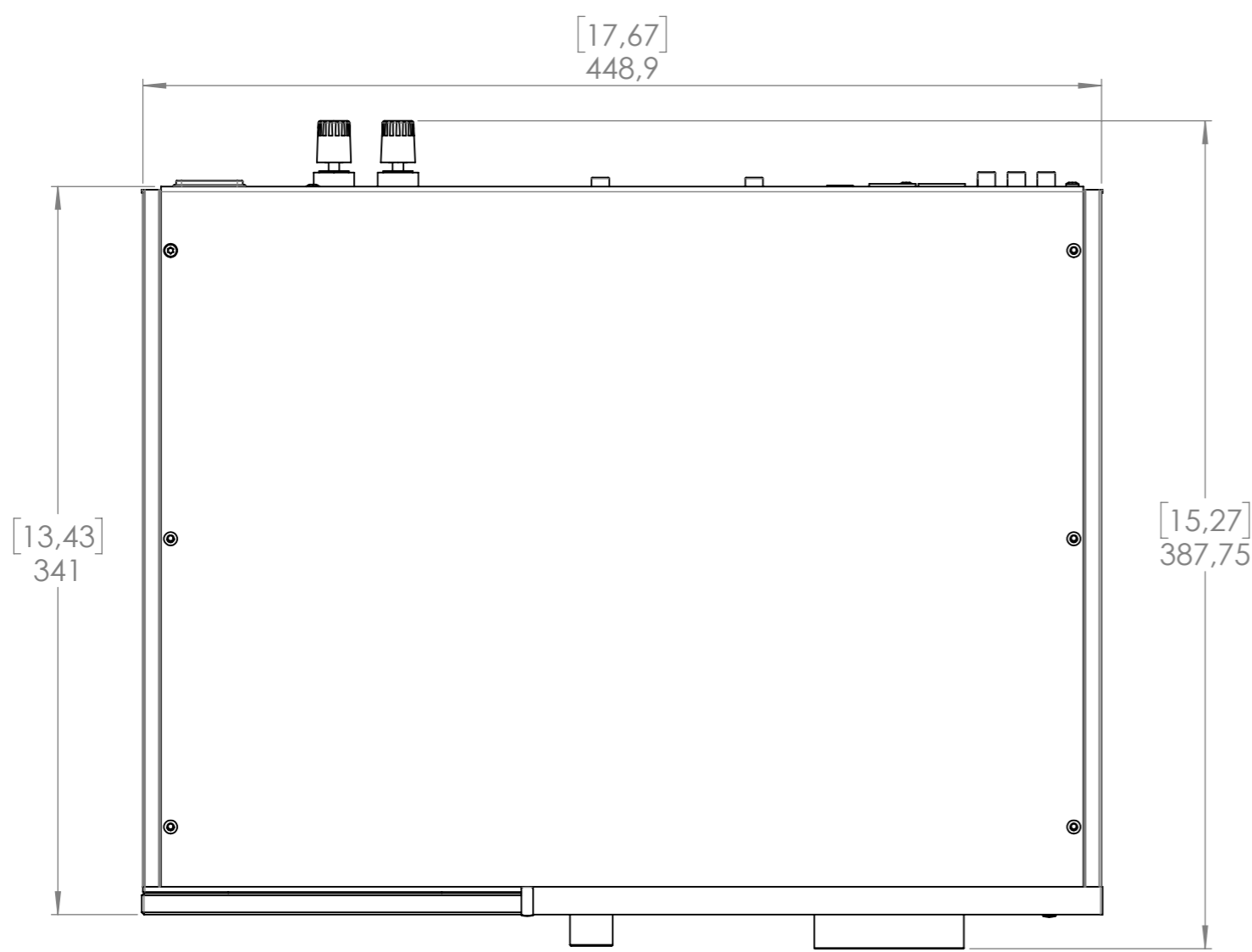
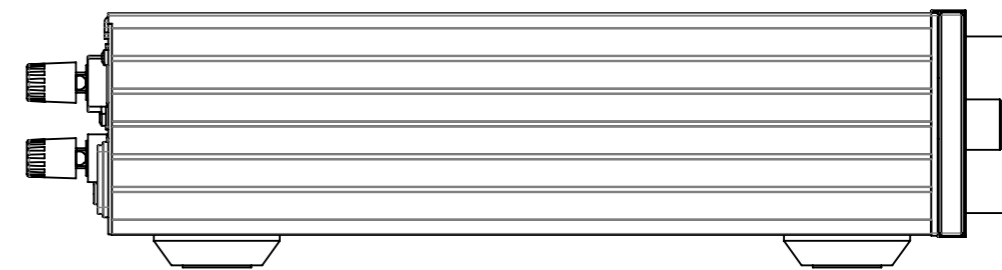
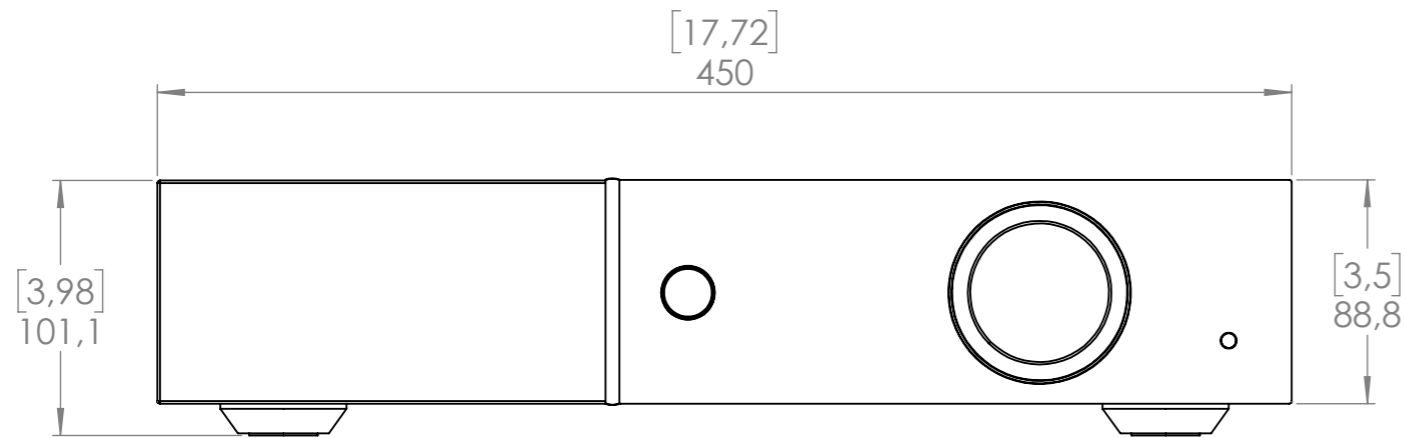


1 2 3 4 5 6 7 8

A
B
C
D
E
F



1 2 3 4 5

Unless otherwise specified:		Rev.By:	Rev.Date:	Sheet 1 of 1
Dimensions are in millimeters. Tolerances according to DIN/ISO 2768-mK. Debur and break sharp edges.		Material:		
Material to comply with EU RoHS Directive 2002/95/EC.		Finish:		Date: 11-04-2012
 Lyngdorf Audio, Denmark www.lyngdorf.com	Proprietary and confidential. The information contained in this drawing is the sole property of Lyngdorf Audio. Any reproduction in part or as a whole without the written permission of Lyngdorf Audio is prohibited.	Colour:	Weight: ~13kg	Creator: Jesper Beltoft
		Description: TDAI 2170		Part No.:
 Scale: Not to scale				