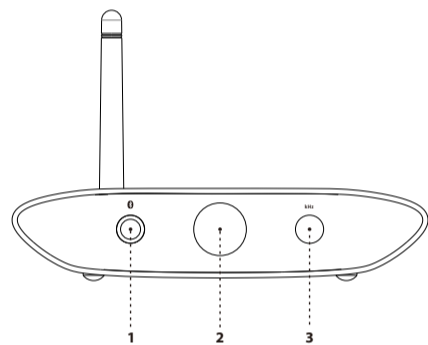


# ifi

## ZEN Blue



Thank you for purchasing the Blue from the ZEN series. The Blue is a wireless Bluetooth DAC with digital and analogue outputs.

### 1. Bluetooth pairing button

The ZEN Blue receives a Bluetooth signal via aptX, aptX HD, LDAC\*, HWA\*, AAC and SBC.

### 2. Bluetooth pairing/codec display

#### Pairing

From switch on, the ZEN Blue will blink blue as it searches for a previously paired device. If a stored device is not found, it will automatically enter pairing mode and blink blue/red.

To enter pairing mode, press and hold the front leftmost button until the 'Bluetooth mode LED' is blinking blue/red. To pair, on your handset, look for 'ZEN Blue' in the list of available Bluetooth devices.

The ZEN Blue is able to store up to 7 paired Bluetooth devices.

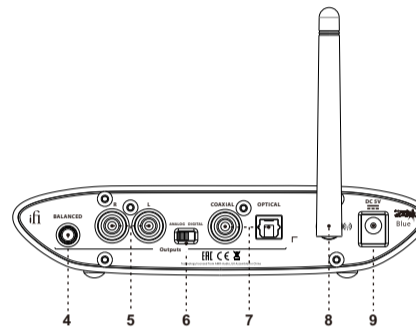
#### Codec

The colour of the 'iFi' logo in the centre of the front display represents the file format received:

Format	LED
AAC	Yellow
aptX	Blue
aptX HD	Magenta
LDAC*	Cyan
HWA*	White
SBC	Green

### 3. kHz LED

44/48	Blue
88/96	White



### 4. Balanced 4.4mm outputs

For connection of 4.4mm > XLR or similarly balanced interconnects.

**Warning: do NOT connect 4.4mm balanced headphones to the ZEN Blue as the full signal is likely to damage your headphones and your hearing! iFi audio is not responsible for any hearing or equipment damage arising from mis-use.**

### 5. Single-Ended RCA outputs

Connect analogue RCA interconnects to an amplifier.

### 6. Digital/Analogue switch

Select between digital OR analogue signal output.

### 7. Digital outputs

To connect a coaxial or optical cable to a DAC.

### 8. Antenna

Please attach the enclosed antenna for maximum reception quality.

### 9. DC 5V power

Connect the enclosed 5v power supply.

**Tip: The ZEN Blue MUST be powered by 5 volts only. It is possible to upgrade the enclosed 5v power supply by using a super low-noise supply such as the iPower or iPower2.**

### Specifications:

Power Source:	DC 5V
Chipset:	Qualcomm QCC 5100 Series
Input:	Bluetooth 5.0™ with AAC, aptX, aptX HD, LDAC*, HWA* Codec
Output:	Optical/Coaxial, Audio RCA L/R, 4.4 Balanced Lineout
Frequency Response:	20Hz - 20kHz <+0/-0.5dB (44.1kHz) 1Hz - 44kHz <+0/-3.0dB (>= 88.2kHz)
Output Voltage @ 0dBFS:	2.05V (+/-0.05V)
Dynamic Range:	109dB (A)
Signal/Noise ratio:	109dB (A) @ 0dBFS
THD & N @ 0dBFS:	< 0.0015% 10k Load
Output Impedance:	< 50Ω
Power Consumption:	< 2.5W
Dimensions:	158 (l) x 100 (w) x 35 (h) mm
Weight:	476g (1.05 lbs)
Warranty period:	12 months

\*Available via future firmware update.  
Specifications are subject to change without notice.