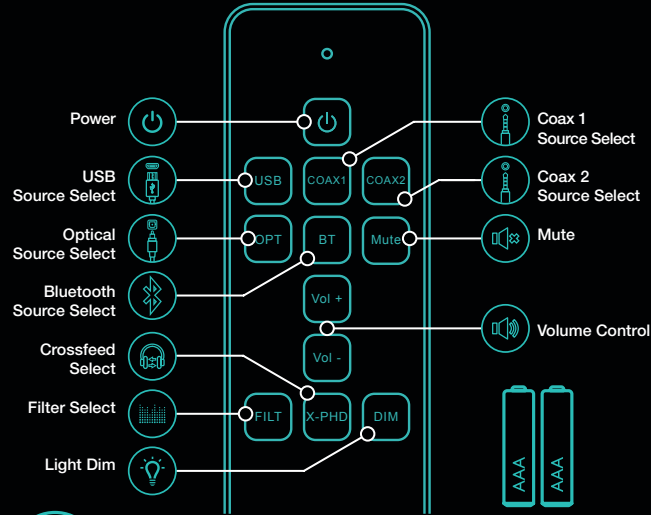


05

Remote control function



Hugo 2's IR sensor is located within the viewing glass, for optimal performance please do not obstruct this area.

Requires 2x AAA batteries

06

Care instructions

Please only use a dry cloth to clean Hugo 2

Never directly spray liquids, including cleaners, onto Hugo 2

Do not allow Hugo 2 to come into contact with liquid

Never poke objects into the exposed connectors apart from the designated connectors

Never drop or expose Hugo 2 to mechanical shock

No user serviceable parts, do not disassemble Hugo 2. Doing so will void your warranty. Please contact your original dealer in the event of a fault



Only operate within the specified temperatures

3 YRS WARRANTY

3 year limited warranty on hardware

18 MONTHS WARRANTY

18 month limited warranty on internal batteries

07

Important information



USB Compatibility: Windows PC (Driver available online), Mac OS X, Linux, iOS devices and Android. Micro USB input



Bluetooth: Select Bluetooth Input (Blue) and pair with device using (Pairing code: 0000)



Crossfeed: Gives a more-speaker-like presentation with three-stage DSP spatial effect

Line level mode: **WARNING!** Line level mode will set maximum volume on all outputs including headphones. Please disconnect before continuing.

To activate, press and hold the Crossfeed (X-PHD) button when turning the unit on.

To deactivate, switch the unit off and confirm that the volume has reduced using the colour chart supplied within this manual

Charging: A 5V 2-amp charger is required to charge Hugo 2 at maximum speed. Chargers between 1-2 amps will decrease play/charge length. Chargers below 1 amp will fail to charge Hugo 2.

WARNING! If the batteries are fully depleted the unit will not switch on. Please connect to a charger and wait 30mins

08

Specifications

Frequency response: 20Hz – 20kHz +/- 0.2dB

Total Harmonic Distortion: <0.0001% 1kHz 3V RMS 300 ohms

THD and noise at 3V RMS Ref 5.3V: 120dB @ 1kHz 300 ohms A Wt

Noise 2.6 uV A Wt: no measurable noise floor modulation

Signal to noise ratio: 126dB A-weighted

Channel separation: 135dB @ 1kHz 300 ohms

Maximum output level (to clipping at 1% distortion): 94 mW 300 ohms; 740 mW 33 ohms; 1050 mW (8)

Output impedance: 25 milliohms (0.025 ohms)

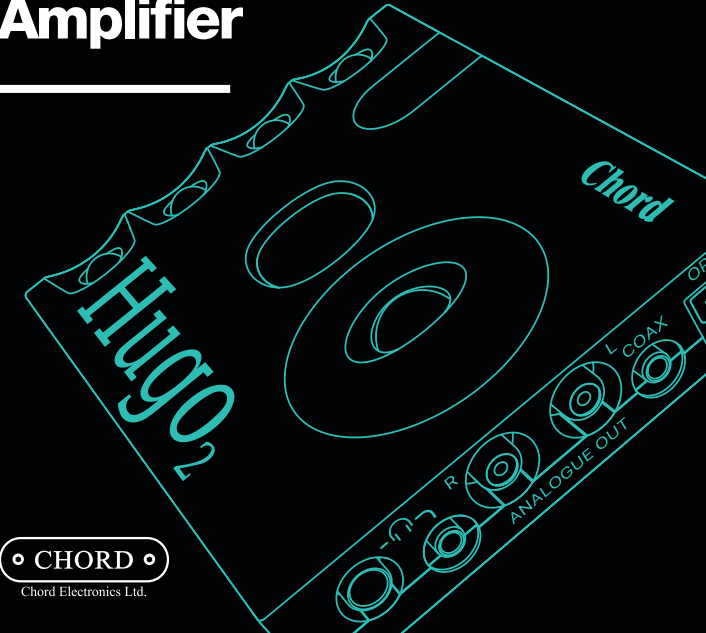


To activate your warranty you must register your product at: chordelectronics.co.uk/register-product



Hugo₂

Digital To Analogue Converter and Headphone Amplifier



Chord Electronics Ltd.

01 How to charge and connect to power

Charge

Charging (1amp / 2amps)

Charged

Desktop mode activated *

Press & hold to power on

Micro USB input

*After 24hrs on constant charge Hugo 2 will enter into Intelligent Desktop Mode where the battery is neither charged nor discharged. Hugo's auto-shutdown feature is now disabled

After a period of 15 minutes of inactivity Hugo 2 will automatically shutdown

Play and charge Hugo 2 at the same time

4 hr charge (2amps) 8 hr charge (1amp) 8 hr playback (Avg. time)

Battery Indicator

0% - 2% 2% - 20% 20% - 50% 50% - 80% 80% - 100%

02 Sample rate indicator - how to read sample rate

PCM
44.1kHz to 768kHz
- 16bit to 32bit
Automatic sample rate switching

DSD
Native DSD playback up to DSD512 - Octa-DSD
Automatic sample rate switching

Viewing Glass

SAMPLE FREQUENCIES IN kHz

44.1 48 88.2 96 176.4 192 352.8 384 705.6 768 DSD

03 Connectivity

To activate 3v RMS line level mode press X-PHD button during start-up

Line level =

MIN MAX

VOL

Min Max

ANALOGUE OUT

Bluetooth 6.35mm 1/4" Headphone output 3.5mm 1/8" Headphone output Right / Left RCA analogue 3.5mm Digi coax 24-BIT/ 384kHz x2 *** Optical 24-BIT/ 192kHz

Coax 1 configuration = Tip and sleeve, Coax 2 configuration = Ring and sleeve. The 3.5mm digital coaxial jack input supports 'dual data mode', where 768kHz files can be input as two separate 384kHz data streams, should devices support this capability.

HD USB - 768kHz/Native DSD512

** WARNING - Do not activate line level whilst operating headphones, you risk damage to your equipment and your hearing.

04 Control options

FILTER INPUT CROSSFEED POWER

HD USB

COAX 1

COAX 2

OPTICAL

BLUETOOTH

COAX DUAL DATA MODE (automatic - not user selectable) ***

Intelligent filtering changes the sonic presentation:

FILTER 01
256fs = Incisive Neutral

FILTER 02
256fs + HF roll-off = Incisive Neutral with high-frequency roll-off

FILTER 03
16fs = Warm

FILTER 04
16fs+ HF roll-off = Warm with high-frequency roll-off

HF filter is optimised for DSD playback

To suit your ambient lighting, Hugo 2 has two brightness settings - High and Low. To cycle between them please simultaneously press the FILTER and X-PHD buttons.